

36 SERIES

- PRESSFIT NEON, LED & INCANDESCENT INDICATOR LIGHTS
- 5/16" DIA. MOUNTING HOLE • WHITE NYLON HOUSING
- FLUSH & HI-HAT LENSES • OPTIONAL ALUMINUM BEZEL • 6" WIRE LEADS
- SPEED NUT PROVIDED • 2 TO 250 DESIGN VOLTS • VARIOUS LENS COLORS
- UL AND CSA LISTED • UL FILE E20356 • CSA FILE LR15284-6

Overview

The 36 Series indicator lights feature a wide variety of lens colors, voltage options and bezel variations. Indicators are designed to front mount into a 5/16" (7.93mm) mounting hole with a recommended panel thickness of 0.020" minimum. A speed nut, part number **8700091688**, is supplied.

Specifications

Housing: white nylon. A black housing is available.

Lens: polycarbonate.

Bezel: aluminum. A black anodized bezel is available.

Incandescent AC or DC voltage options: 6, 14 and 28 volts.

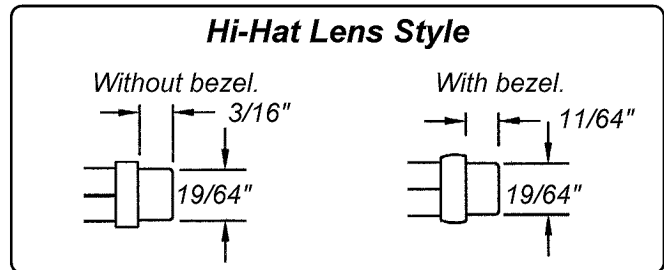
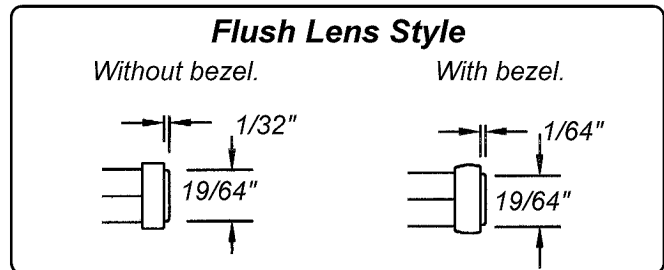
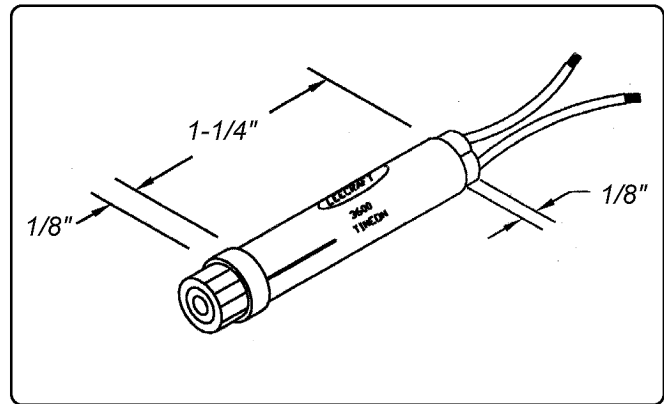
Neon AC or DC voltage options: 125 and 250 volts.
Note: high brightness green and blue neon lamps supplied in green and blue neon applications.

LED DC voltage options: 2, 6, 12, 24 volts.

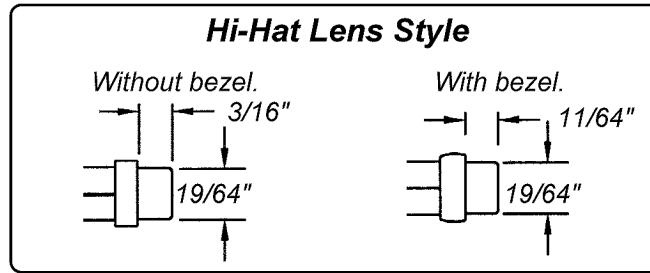
LED AC voltage options: 125 volts.

Note: 125 volts AC units contain a bi-polar LED.

Two 6" wire leads: #20 AWG, black, bare copper, PVC insulated, UL/CSA rated 105°C, 600 V, UL style 1015, stripped 1/2". For DC LED units, wire leads are color-coded red and black; the red wire lead denotes the anode (+) while a black wire lead identifies the cathode (-). For AC LED units, wire leads are white. Custom wire lengths, stripping, termination and wire types are available.



**36 Series
Optional
Aluminum Bezel
5/16" Mounting Hole
6 to 250 Design Volts
Neon or
Incandescent**



**6" Wire Leads
Hi-Hat Lens
White Housing
Speed Nut
Variety of
Lens Colors
PressFit**

Part Numbers Without Bezel	Part Numbers With Aluminum Bezel	Lens Color	Lamp Type	Design Volts	Design Watts or Amps	Life (hrs)
36N-2111	36EN-2111	Red	Neon	125	1/3W	25,000
36HN-2111	36HEN-2111	Red	Neon	250	1/3W	25,000
36NG1-2111	36ENG1-2111	Red	Incandescent	6	.20A	5,000
36NG3-2111	36ENG3-2111	Red	Incandescent	14	.10A	10,000
36NG18-2111	36ENG18-2111	Red	Incandescent	28	.04A	7,000
36N-2112	36EN-2112	Green	Neon	125	1/3W	25,000
36HN-2112	36HEN-2112	Green	Neon	250	1/3W	25,000
36NG1-2112	36ENG1-2112	Green	Incandescent	6	.20A	5,000
36NG3-2112	36ENG3-2112	Green	Incandescent	14	.10A	10,000
36NG18-2112	36ENG18-2112	Green	Incandescent	28	.04A	7,000
36N-2113	36EN-2113	Amber	Neon	125	1/3W	25,000
36HN-2113	36HEN-2113	Amber	Neon	250	1/3W	25,000
36NG1-2113	36ENG1-2113	Amber	Incandescent	6	.20A	5,000
36NG3-2113	36ENG3-2113	Amber	Incandescent	14	.10A	10,000
36NG18-2113	36ENG18-2113	Amber	Incandescent	28	.04A	7,000
36N-2114	36EN-2114	Blue	Neon	125	1/3W	25,000
36HN-2114	36HEN-2114	Blue	Neon	250	1/3W	25,000
36NG1-2114	36ENG1-2114	Blue	Incandescent	6	.20A	5,000
36NG3-2114	36ENG3-2114	Blue	Incandescent	14	.10A	10,000
36NG18-2114	36ENG18-2114	Blue	Incandescent	28	.04A	7,000
36N-2115	36EN-2115	White	Neon	125	1/3W	25,000
36HN-2115	36HEN-2115	White	Neon	250	1/3W	25,000
36NG1-2115	36ENG1-2115	White	Incandescent	6	.20A	5,000
36NG3-2115	36ENG3-2115	White	Incandescent	14	.10A	10,000
36NG18-2115	36ENG18-2115	White	Incandescent	28	.04A	7,000
36N-2117	36EN-2117	Clear	Neon	125	1/3W	25,000
36HN-2117	36HEN-2117	Clear	Neon	250	1/3W	25,000
36NG1-2117	36ENG1-2117	Clear	Incandescent	6	.20A	5,000
36NG3-2117	36ENG3-2117	Clear	Incandescent	14	.10A	10,000
36NG18-2117	36ENG18-2117	Clear	Incandescent	28	.04A	7,000